



**FITTINGS - LOW  
PRESSURE AND UNILOCK**

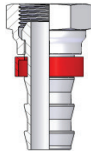
# FITTINGS – LOW PRESSURE AND UNILOCK

Section L, Page:

2

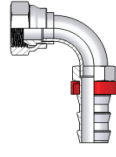
2

2



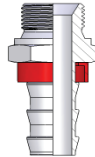
**P050**

BSP Female Cone 60° - UniLock



**P150**

90° Female BSP 60° Cone - UniLock



**P350**

BSP Male Parallel 60° Cone - UniLock

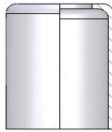
Section L, Page:

3

4

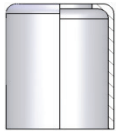
5

5



**A**

Aluminum Ferrule



**BA**

Steel Ferrule



**0345B**

Male BSP Flat Seat



**0350B**

Male BSP Parallel 60° Cone

Section L, Page:

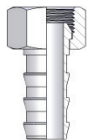
6

7

8

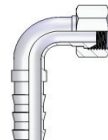
9

9



**0051B**

Female BSP Cone 60°



**0151B**

90° BSP Cone 60°



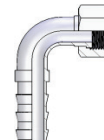
**0251B**

45° BSP Cone 60°



**0060B**

Female BSP Flat Seat



**0160B**

90° BSP Swept Elbow Flat Seat

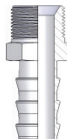
Section L, Page:

10

10

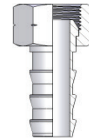
11

11



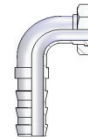
**0400B**

Male Metric 60° Cone



**0100B**

Female Metric 60° Cone



**0200B**

Female 90° Metric 60° Cone



**0300B**

Female 45° Metric 60° Cone

Section L, Page:

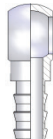
12

12



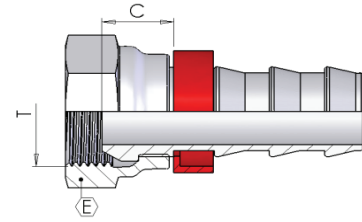
**1350B**

Metric Banjo

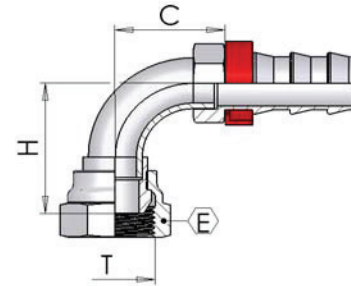


**1400B**

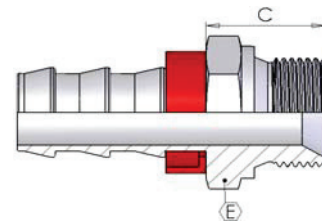
BSP Banjo

**P050 BSP Female Cone 60° - UniLock**


|   | Part Number | Hose I.D. |      | Dimension |          |       |           |
|---|-------------|-----------|------|-----------|----------|-------|-----------|
|   |             | in        | mm   | Dash size | Thread T | Hex E | Cut-Off C |
| ○ | P050-04-04  | ¼         | 6.4  | 04        | ¼ - 19   | 17    | 10        |
| ○ | P050-06-06  | ⅜         | 9.5  | 06        | ⅜ - 19   | 19    | 10        |
| ○ | P050-08-08  | ½         | 12.7 | 08        | ½ - 14   | 27    | 13        |
| ○ | P050-12-12  | ¾         | 19.0 | 12        | ¾ - 14   | 32    | 16        |
| ○ | P050-16-16  | 1         | 25.4 | 16        | 1 - 11   | 38    | 15        |

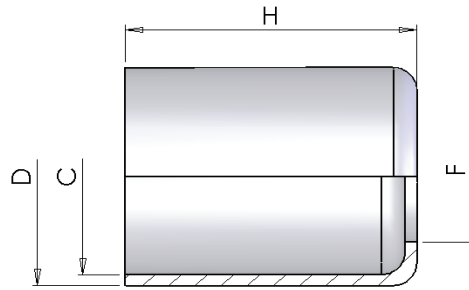
**P150 BSP 90° Swept Elbow 60° Cone - UniLock**


|   | Part Number | Hose I.D. |      | Dimension |          |       |        |           |
|---|-------------|-----------|------|-----------|----------|-------|--------|-----------|
|   |             | in        | mm   | Dash size | Thread T | Hex E | Drop H | Cut-Off C |
| ○ | P150-04-04  | ¼         | 6.4  | 04        | ¼ - 19   | 17    | 26     | 20        |
| ○ | P150-06-06  | ⅜         | 9.5  | 06        | ⅜ - 19   | 19    | 28     | 21        |
| ○ | P150-08-08  | ½         | 12.7 | 08        | ½ - 14   | 27    | 35     | 26        |
| ○ | P150-12-12  | ¾         | 19.0 | 12        | ¾ - 14   | 32    | 46     | 37        |
| ○ | P150-16-16  | 1         | 25.4 | 16        | 1 - 11   | 38    | 55     | 44        |

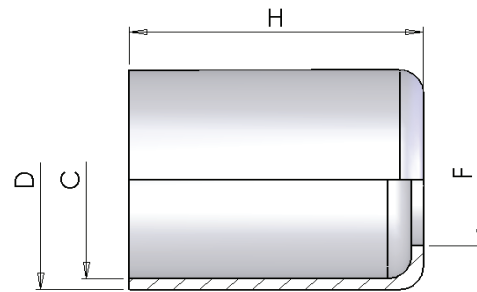
**P350 BSP Male Parallel 60° Cone - UniLock**


|   | Part Number | Hose I.D. |      | Dimension |          |       |           |
|---|-------------|-----------|------|-----------|----------|-------|-----------|
|   |             | in        | mm   | Dash size | Thread T | Hex E | Cut-Off C |
| ○ | P350-04-04  | ¼         | 6.4  | 04        | ¼ - 19   | 19    | 20        |
| ○ | P350-06-06  | ⅜         | 9.5  | 06        | ⅜ - 19   | 22    | 22        |
| ○ | P350-08-08  | ½         | 12.7 | 08        | ½ - 14   | 27    | 25        |
| ○ | P350-12-12  | ¾         | 19.0 | 12        | ¾ - 14   | 32    | 27        |
| ○ | P350-16-16  | 1         | 25.4 | 16        | 1 - 11   | 41    | 30        |

## A Aluminium Ferrule



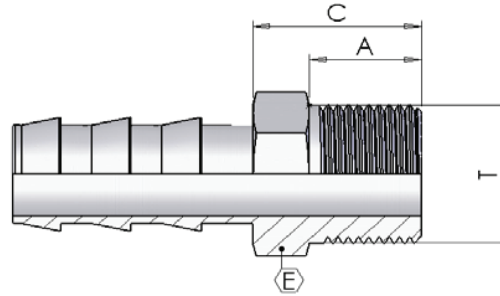
|   | Part Number | Dimensions/mm |    |    |    |
|---|-------------|---------------|----|----|----|
|   |             | D             | C  | F  | H  |
| ○ | A11x13      | 13            | 11 | 8  | 16 |
| ○ | A12x14      | 14            | 12 | 8  | 17 |
| ○ | A13x15      | 15            | 13 | 9  | 20 |
| ○ | A14x16      | 16            | 14 | 9  | 20 |
| ○ | A15x17      | 17            | 15 | 11 | 20 |
| ○ | A16x18      | 18            | 16 | 12 | 23 |
| ○ | A17x19      | 19            | 17 | 12 | 23 |
| ○ | A18x20      | 20            | 18 | 12 | 23 |
| ○ | A19x21      | 21            | 19 | 15 | 25 |
| ○ | A20x22      | 22            | 20 | 15 | 25 |
| ○ | A21x23      | 23            | 21 | 15 | 25 |
| ○ | A22x24      | 24            | 22 | 15 | 25 |
| ○ | A23x25      | 25            | 23 | 16 | 26 |
| ○ | A24x26      | 26            | 24 | 15 | 26 |
| ○ | A26x28      | 28            | 26 | 20 | 30 |
| ○ | A27x29      | 29            | 27 | 20 | 30 |
| ○ | A28x30      | 30            | 28 | 20 | 30 |
| ○ | A30x32      | 32            | 30 | 21 | 30 |
| ○ | A32x34      | 34            | 32 | 22 | 30 |
| ○ | A34x36      | 36            | 34 | 27 | 35 |
| ○ | A36x38      | 38            | 36 | 26 | 36 |
| ○ | A38x40      | 40            | 38 | 27 | 36 |
| ○ | A42x45      | 45            | 42 | 32 | 40 |

**BA Steel Ferrule**


|   | Part Number | Dimensions/mm |     |    |    |
|---|-------------|---------------|-----|----|----|
|   |             | D             | C   | F  | H  |
| ○ | BA-021-024  | 24            | 21  | 16 | 31 |
| ○ | BA-022-025  | 25            | 22  | 16 | 31 |
| ○ | BA-024-027  | 27            | 24  | 18 | 31 |
| ○ | BA-027-030  | 30            | 27  | 20 | 34 |
| ○ | BA-029-032  | 32            | 29  | 21 | 35 |
| ○ | BA-032-035  | 35            | 32  | 23 | 36 |
| ○ | BA-035-038  | 38            | 35  | 27 | 36 |
| ○ | BA-037-040  | 40            | 37  | 28 | 38 |
| ○ | BA-039-042  | 42            | 39  | 29 | 40 |
| ○ | BA-042-045  | 45            | 42  | 32 | 42 |
| ○ | BA-046-050  | 50            | 46  | 34 | 46 |
| ○ | BA-048-052  | 52            | 48  | 35 | 46 |
| ○ | BA-051-055  | 55            | 51  | 42 | 48 |
| ○ | BA-056-060  | 60            | 56  | 43 | 50 |
| ○ | BA-060-065  | 65            | 60  | 45 | 51 |
| ○ | BA-065-070  | 70            | 65  | 53 | 54 |
| ○ | BA-070-075  | 75            | 70  | 55 | 56 |
| ○ | BA-077-082  | 82            | 77  | 65 | 61 |
| ○ | BA-080-085  | 85            | 80  | 68 | 64 |
| ○ | BA-085-090  | 90            | 85  | 68 | 63 |
| ○ | BA-095-100  | 100           | 95  | 78 | 68 |
| ○ | BA-100-105  | 105           | 100 | 84 | 76 |

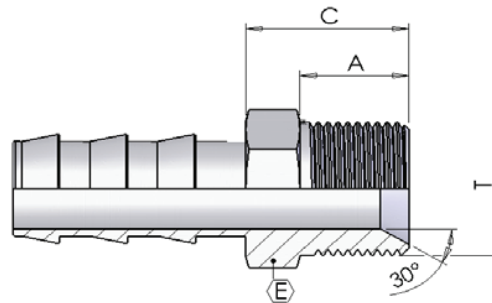
# FITTINGS - LOW PRESSURE AND UNILOCK

## 0345B BSP Male - Flat Seat

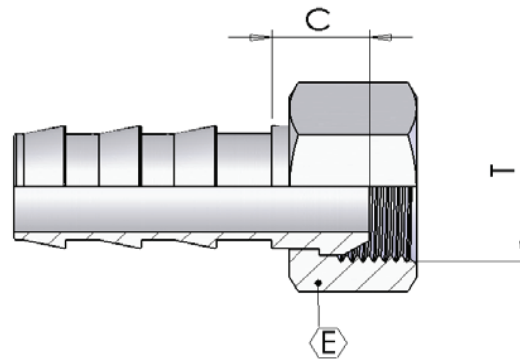


|   | Part Number | Hose I.D. |      | Dimensions |          |           |    |       |
|---|-------------|-----------|------|------------|----------|-----------|----|-------|
|   |             |           |      | Dash size  | Thread T | Cut Off C | A  | Hex E |
|   |             | in        | mm   |            |          |           |    |       |
| ○ | 0345B04-02  | 1/4       | 6.4  | 04         | 1/8      | 16        | 10 | 14    |
| ○ | 0345B04-04  | 1/4       | 6.4  | 04         | 1/4      | 16        | 10 | 14    |
| ○ | 0345B05-04  | 5/16      | 7.9  | 05         | 1/4      | 16        | 10 | 14    |
| ○ | 0345B05-06  | 5/16      | 7.9  | 05         | 3/8      | 19        | 12 | 17    |
| ○ | 0345B06-04  | 3/8       | 9.5  | 06         | 1/4      | 16        | 10 | 17    |
| ○ | 0345B06-06  | 3/8       | 9.5  | 06         | 3/8      | 19        | 12 | 17    |
| ○ | 0345B06-08  | 3/8       | 9.5  | 06         | 1/2      | 21        | 13 | 22    |
| ○ | 0345B08-06  | 1/2       | 12.7 | 08         | 3/8      | 19        | 12 | 19    |
| ○ | 0345B08-08  | 1/2       | 12.7 | 08         | 1/2      | 21        | 13 | 22    |
| ○ | 0345B10-06  | 5/8       | 15.9 | 10         | 3/8      | 19        | 12 | 19    |
| ○ | 0345B10-08  | 5/8       | 15.9 | 10         | 1/2      | 21        | 13 | 22    |
| ○ | 0345B10-12  | 5/8       | 15.9 | 10         | 3/4      | 21        | 15 | 27    |
| ○ | 0345B12-08  | 3/4       | 19.0 | 12         | 1/2      | 21        | 13 | 24    |
| ○ | 0345B12-12  | 3/4       | 19.0 | 12         | 3/4      | 23        | 15 | 27    |
| ○ | 0345B12-16  | 3/4       | 19.0 | 12         | 1        | 25        | 16 | 34    |
| ○ | 0345B16-12  | 1         | 25.4 | 16         | 3/4      | 23        | 15 | 30    |
| ○ | 0345B16-16  | 1         | 25.4 | 16         | 1        | 25        | 16 | 34    |
| ○ | 0345B20-12  | 1 1/4     | 31.8 | 20         | 3/4      | 23        | 15 | 34    |
| ○ | 0345B20-16  | 1 1/4     | 31.8 | 20         | 1        | 26        | 16 | 36    |
| ○ | 0345B20-20  | 1 1/4     | 31.8 | 20         | 1 1/4    | 27        | 17 | 42    |
| ○ | 0345B24-20  | 1 1/2     | 38.1 | 24         | 1 1/4    | 27        | 17 | 42    |
| ○ | 0345B24-24  | 1 1/2     | 38.1 | 24         | 1 1/2    | 29        | 18 | 50    |
| ○ | 0345B32-32  | 2         | 50.8 | 32         | 2        | 31        | 19 | 60    |
| ○ | 0345B40-40  | 2 1/2     | 63.5 | 40         | 2 1/2    | 36        | 23 | 75    |

## 0350B BSP Male Parallel 60° Cone



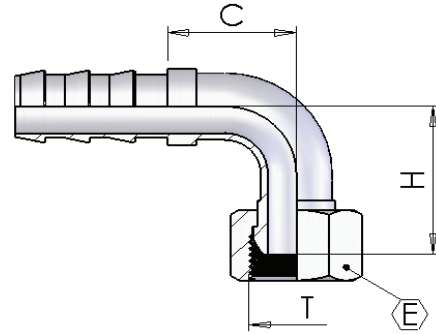
|   | Part Number | Hose I.D. |     | Dimensions |          |           |    |       |
|---|-------------|-----------|-----|------------|----------|-----------|----|-------|
|   |             |           |     | Dash size  | Thread T | Cut Off C | A  | Hex E |
|   |             | in        | mm  |            |          |           |    |       |
| ○ | 0350B04-02  | 1/4       | 6.4 | 04         | 1/8      | 14        | 9  | 14    |
| ○ | 0350B04-04  | 1/4       | 6.4 | 04         | 1/4      | 16        | 10 | 19    |
| ○ | 0350B05-04  | 5/16      | 7.9 | 05         | 1/4      | 16        | 10 | 19    |
| ○ | 0350B06-04  | 3/8       | 9.5 | 06         | 1/4      | 16        | 10 | 19    |
| ○ | 0350B06-06  | 3/8       | 9.5 | 06         | 3/8      | 18        | 12 | 22    |

**0051B BSP Female 60° Cone**


|   | Part Number | Hose I.D. |      | Dimension |        |     |         |
|---|-------------|-----------|------|-----------|--------|-----|---------|
|   |             | in        | mm   | Dash size | Thread | Hex | Cut-Off |
|   |             |           |      |           | T      | E   | C       |
| ○ | 0051B03-02  | 3/16      | 4.8  | 03        | 1/8    | 9   | 14      |
| ○ | 0051B04-02  | 1/4       | 6.4  | 04        | 1/8    | 9   | 14      |
| ○ | 0051B04-04  | 1/4       | 6.4  | 04        | 1/4    | 10  | 17      |
| ○ | 0051B05-04  | 5/16      | 7.9  | 05        | 1/4    | 10  | 17      |
| ○ | 0051B05-06  | 5/16      | 7.9  | 05        | 3/8    | 11  | 19      |
| ○ | 0051B06-06  | 3/8       | 9.5  | 06        | 3/8    | 11  | 19      |
| ○ | 0051B06-08  | 3/8       | 9.5  | 06        | 1/2    | 12  | 24      |
| ○ | 0051B08-06  | 1/2       | 12.7 | 08        | 3/8    | 11  | 19      |
| ○ | 0051B08-08  | 1/2       | 12.7 | 08        | 1/2    | 12  | 24      |
| ○ | 0051B10-08  | 5/8       | 15.9 | 10        | 1/2    | 12  | 24      |
| ○ | 0051B10-12  | 5/8       | 15.9 | 10        | 3/4    | 14  | 30      |
| ○ | 0051B12-12  | 3/4       | 19.0 | 12        | 3/4    | 14  | 30      |
| ○ | 0051B12-16  | 3/4       | 19.0 | 12        | 1      | 15  | 38      |
| ○ | 0051B16-16  | 1         | 25.4 | 16        | 1      | 16  | 38      |
| ○ | 0051B20-20  | 1 1/4     | 31.8 | 20        | 1 1/4  | 16  | 46      |
| ○ | 0051B20-24  | 1 1/4     | 31.8 | 20        | 1 1/2  | 18  | 55      |
| ○ | 0051B24-24  | 1 1/2     | 38.1 | 24        | 1 1/2  | 18  | 55      |
| ○ | 0051B32-32  | 2         | 50.8 | 32        | 2      | 19  | 65      |
| ○ | 0051B40-40  | 2 1/2     | 63.5 | 40        | 2 1/2  | 24  | 85      |
| ○ | 0051B48-48  | 3         | 76.2 | 48        | 3      | 26  | 100     |

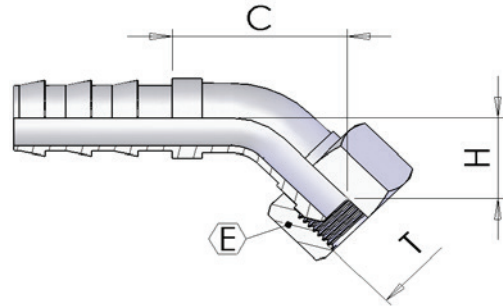
# FITTINGS – LOW PRESSURE AND UNILOCK

## 0151B BSP 90° Swept Elbow 60° Cone



|   | Part Number | Hose I.D. |      | Dimensions |        |      |     |         |
|---|-------------|-----------|------|------------|--------|------|-----|---------|
|   |             |           |      | Dash size  | Thread | Drop | Hex | Cut-Off |
|   |             | in        | mm   |            | T      | H    | E   | C       |
| ○ | 0151B04-04  | 1/4       | 6.4  | 04         | 1/4    | 25   | 17  | 28      |
| ○ | 0151B05-04  | 5/16      | 7.9  | 05         | 1/4    | 25   | 17  | 28      |
| ○ | 0151B05-06  | 5/16      | 7.9  | 05         | 3/8    | 32   | 19  | 32      |
| ○ | 0151B06-06  | 3/8       | 9.5  | 06         | 3/8    | 33   | 19  | 33      |
| ○ | 0151B06-08  | 3/8       | 9.5  | 06         | 1/2    | 35   | 24  | 38      |
| ○ | 0151B08-06  | 1/2       | 12.7 | 08         | 3/8    | 35   | 19  | 38      |
| ○ | 0151B08-08  | 1/2       | 12.7 | 08         | 1/2    | 41   | 24  | 43      |
| ○ | 0151B08-12  | 1/2       | 12.7 | 08         | 3/4    | 45   | 30  | 40      |
| ○ | 0151B10-08  | 5/8       | 15.9 | 10         | 1/2    | 41   | 24  | 44      |
| ○ | 0151B10-12  | 5/8       | 15.9 | 10         | 3/4    | 45   | 30  | 40      |
| ○ | 0151B12-12  | 3/4       | 19.0 | 12         | 3/4    | 49   | 30  | 51      |
| ○ | 0151B12-16  | 3/4       | 19.0 | 12         | 1      | 49   | 38  | 45      |
| ○ | 0151B16-12  | 1         | 25.4 | 16         | 3/4    | 57   | 32  | 45      |
| ○ | 0151B16-16  | 1         | 25.4 | 16         | 1      | 58   | 38  | 60      |
| ○ | 0151B16-20  | 1         | 25.4 | 16         | 1 1/4  | 64   | 46  | 56      |
| ○ | 0151B20-20  | 1 1/4     | 31.8 | 20         | 1 1/4  | 66   | 46  | 70      |
| ○ | 0151B24-24  | 1 1/2     | 38.1 | 24         | 1 1/2  | 75   | 55  | 70      |
| ○ | 0151B32-32  | 2         | 50.8 | 32         | 2      | 70   | 65  | 66      |
| ○ | 0151B40-40  | 2 1/2     | 63.5 | 40         | 2 1/2  | 85   | 85  | 82      |

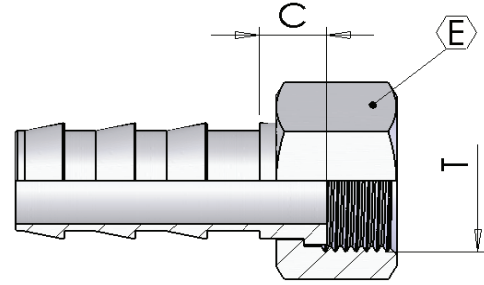


**0251B**    **BSP 45° Swept Elbow 60° Cone**


|   | Part Number | Hose I.D. |      | Dimensions |        |      |     |         |
|---|-------------|-----------|------|------------|--------|------|-----|---------|
|   |             |           |      | Dash size  | Thread | Drop | Hex | Cut Off |
|   |             | in        | mm   | T          | H      | E    | C   |         |
| ○ | 0251B04-04  | ¼         | 6.4  | 04         | ¼      | 17   | 17  | 44      |
| ○ | 0251B05-06  | 5/16      | 7.9  | 05         | 3/8    | 19   | 19  | 50      |
| ○ | 0251B06-06  | 3/8       | 9.5  | 06         | 3/8    | 20   | 19  | 52      |
| ○ | 0251B06-08  | 3/8       | 9.5  | 06         | ½      | 23   | 24  | 54      |
| ○ | 0251B08-06  | ½         | 12.7 | 08         | 3/8    | 23   | 19  | 54      |
| ○ | 0251B08-08  | ½         | 12.7 | 08         | ½      | 25   | 24  | 60      |
| ○ | 0251B10-12  | 5/8       | 15.9 | 10         | ¾      | 28   | 30  | 65      |
| ○ | 0251B12-12  | ¾         | 19.0 | 12         | ¾      | 28   | 30  | 65      |
| ○ | 0251B12-16  | ¾         | 19.0 | 12         | 1      | 30   | 38  | 55      |
| ○ | 0251B16-16  | 1         | 25.4 | 16         | 1      | 30   | 38  | 74      |
| ○ | 0251B20-20  | 1 ¼       | 31.8 | 20         | 1 ¼    | 35   | 46  | 72      |
| ○ | 0251B24-24  | 1 ½       | 38.1 | 24         | 1 ½    | 35   | 55  | 72      |
| ○ | 0251B32-32  | 2         | 50.8 | 32         | 2      | 50   | 65  | 90      |

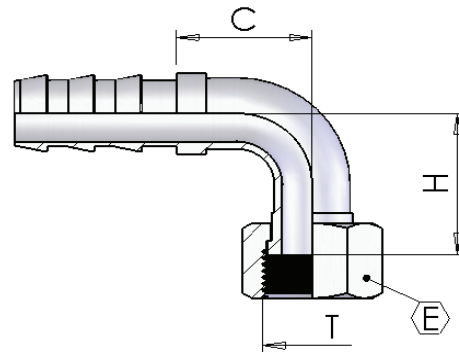
# FITTINGS – LOW PRESSURE AND UNILOCK

## 0060B BSP Female Flat Seal

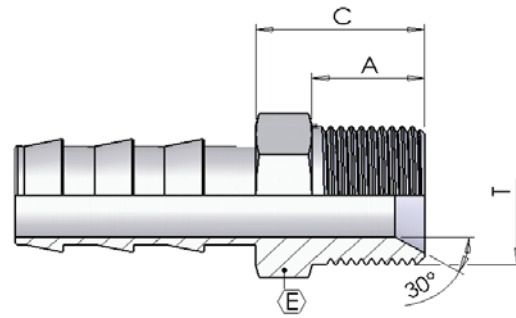


|   | Part Number | Hose I.D. |      | Dimensions |        |     |         |
|---|-------------|-----------|------|------------|--------|-----|---------|
|   |             | in        | mm   | Dash size  | Thread | Hex | Cut-Off |
|   |             |           |      |            | T      | E   | C       |
| ○ | 0060B04-04  | 1/4       | 6.4  | 04         | 1/4    | 17  | 7       |
| ○ | 0060B05-04  | 5/16      | 7.9  | 05         | 1/4    | 17  | 7       |
| ○ | 0060B05-06  | 5/16      | 7.9  | 05         | 3/8    | 19  | 8       |
| ○ | 0060B06-06  | 3/8       | 9.5  | 06         | 3/8    | 19  | 8       |
| ○ | 0060B06-08  | 3/8       | 9.5  | 06         | 1/2    | 24  | 8       |
| ○ | 0060B08-08  | 1/2       | 12.7 | 08         | 1/2    | 24  | 8       |
| ○ | 0060B10-12  | 5/8       | 15.9 | 10         | 3/4    | 30  | 9       |
| ○ | 0060B12-12  | 3/4       | 19   | 12         | 3/4    | 30  | 9       |
| ○ | 0060B12-16  | 3/4       | 19   | 12         | 1      | 38  | 10      |
| ○ | 0060B16-16  | 1         | 25.4 | 16         | 1      | 38  | 11      |
| ○ | 0060B20-20  | 1 1/4     | 31.8 | 20         | 1 1/4  | 46  | 11      |
| ○ | 0060B24-24  | 1 1/2     | 38.1 | 24         | 1 1/2  | 55  | 12      |
| ○ | 0060B32-32  | 2         | 50.8 | 32         | 2      | 65  | 12      |

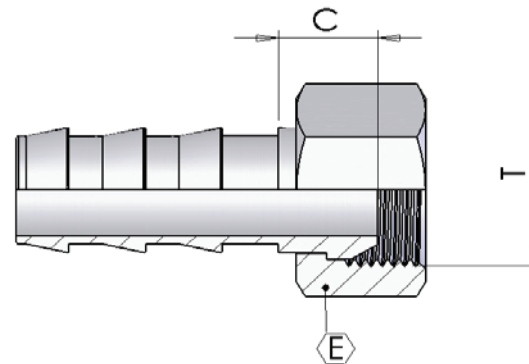
## 0160B BSP 90° Swept Elbow Flat Seat



|   | Part Number | Hose I.D. |      | Dimensions |        |      |     |         |
|---|-------------|-----------|------|------------|--------|------|-----|---------|
|   |             | in        | mm   | Dash size  | Thread | Drop | Hex | Cut Off |
|   |             |           |      |            | T      | H    | E   | C       |
| ○ | 0160B08-08  | 1/2       | 12.7 | 08         | 1/2    | 35   | 24  | 43      |
| ○ | 0160B08-12  | 1/2       | 12.7 | 08         | 3/4    | 40   | 30  | 40      |
| ○ | 0160B12-12  | 3/4       | 19   | 12         | 3/4    | 40   | 30  | 40      |
| ○ | 0160B12-16  | 3/4       | 19   | 12         | 1      | 45   | 38  | 45      |

**0400B Metric Male 60° Cone**


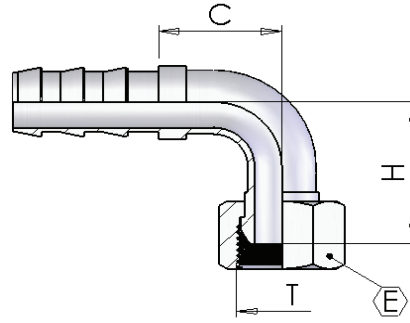
|   | Part Number       | Hose I.D.       |     | Dimensions |           |     |    |         |
|---|-------------------|-----------------|-----|------------|-----------|-----|----|---------|
|   |                   |                 |     | Dash size  | Thread    | Hex |    | Cut-Off |
|   |                   | in              | mm  |            | T         | A   | E  | C       |
| ○ | <b>0400B04-14</b> | ¼               | 6.4 | 04         | M14 x 1.5 | 11  | 19 | 17      |
| ○ | <b>0400B05-14</b> | ⅝ <sub>16</sub> | 7.9 | 05         | M14 x 1.5 | 11  | 19 | 17      |
| ○ | <b>0400B06-14</b> | ¾               | 9.5 | 06         | M14 x 1.5 | 11  | 19 | 17      |

**0100B Metric Female 60° Cone**


|   | Part Number       | Hose I.D.       |      | Dimensions |           |     |         |
|---|-------------------|-----------------|------|------------|-----------|-----|---------|
|   |                   |                 |      | Dash size  | Thread    | Hex | Cut Off |
|   |                   | in              | mm   |            | T         | E   | C       |
| ○ | <b>0100B03-10</b> | ⅜ <sub>16</sub> | 4.8  | 03         | M10 x 1   | 14  | 9       |
| ○ | <b>0100B03-12</b> | ⅜ <sub>16</sub> | 4.8  | 03         | M12 x 1.5 | 17  | 10      |
| ○ | <b>0100B04-12</b> | ¼               | 6.4  | 04         | M12 x 1.5 | 17  | 10      |
| ○ | <b>0100B04-14</b> | ¼               | 6.4  | 04         | M14 x 1.5 | 17  | 10      |
| ○ | <b>0100B05-14</b> | ⅝ <sub>16</sub> | 7.9  | 05         | M14 x 1.5 | 17  | 10      |
| ○ | <b>0100B05-16</b> | ⅝ <sub>16</sub> | 7.9  | 05         | M16 x 1.5 | 19  | 11      |
| ○ | <b>0100B06-18</b> | ¾               | 9.5  | 06         | M18 x 1.5 | 22  | 11      |
| ○ | <b>0100B08-18</b> | ½               | 12.7 | 08         | M18 x 1.5 | 22  | 12      |
| ○ | <b>0100B08-22</b> | ½               | 12.7 | 08         | M22 x 1.5 | 27  | 12      |
| ○ | <b>0100B10-22</b> | ⅝               | 15.9 | 10         | M22 x 1.5 | 27  | 12      |
| ○ | <b>0100B10-26</b> | ⅝               | 15.9 | 10         | M26 x 1.5 | 32  | 14      |
| ○ | <b>0100B12-26</b> | ¾               | 19   | 12         | M26 x 1.5 | 32  | 14      |

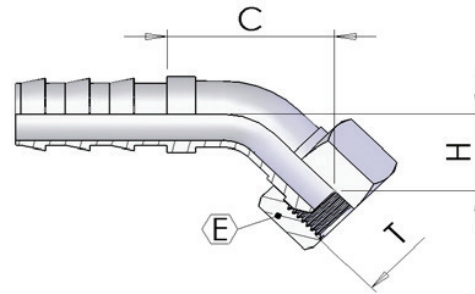
# FITTINGS – LOW PRESSURE AND UNILOCK

## 0200B 90° Metric Swept Elbow 60° Cone



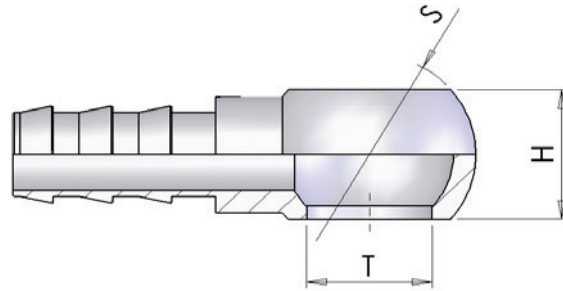
|   | Part Number | Hose I.D.       |      | Dimensions |           |      |     |         |
|---|-------------|-----------------|------|------------|-----------|------|-----|---------|
|   |             | in              | mm   | Dash size  | Thread    | Drop | Hex | Cut-Off |
|   |             |                 |      |            | T         | H    | E   | C       |
| ○ | 0200B04-14  | ¼               | 6.4  | 04         | M14 x 1.5 | 25   | 17  | 28      |
| ○ | 0200B05-16  | ⅝ <sub>16</sub> | 7.9  | 05         | M16 x 1.5 | 32   | 19  | 31.5    |
| ○ | 0200B06-18  | ⅜               | 9.5  | 06         | M18 x 1.5 | 33   | 22  | 35      |
| ○ | 0200B08-22  | ½               | 12.7 | 08         | M22 x 1.5 | 41   | 27  | 43      |
| ○ | 0200B10-26  | ⅝               | 15.9 | 10         | M26 x 1.5 | 43   | 32  | 43      |
| ○ | 0200B12-26  | ¾               | 19   | 12         | M26 x 1.5 | 49   | 33  | 51      |

## 0300B 45° Metric Swept Elbow 60° Cone



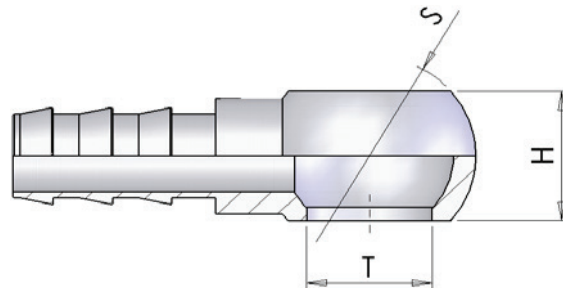
|   | Part Number | Hose I.D.       |      | Dimensions |           |      |     |         |
|---|-------------|-----------------|------|------------|-----------|------|-----|---------|
|   |             | in              | mm   | Dash size  | Thread    | Drop | Hex | Cut-Off |
|   |             |                 |      |            | T         | H    | E   | C       |
| ○ | 0300B04-14  | ¼               | 6.4  | 04         | M14 x 1.5 | 15   | 17  | 44      |
| ○ | 0300B05-16  | ⅝ <sub>16</sub> | 7.9  | 05         | M16 x 1.5 | 18   | 19  | 49.5    |
| ○ | 0300B06-18  | ⅜               | 9.5  | 06         | M18 x 1.5 | 20   | 22  | 52      |
| ○ | 0300B08-18  | ½               | 12.7 | 08         | M18 x 1.5 | 23   | 22  | 54      |
| ○ | 0300B08-22  | ½               | 12.7 | 08         | M22 x 1.5 | 25   | 27  | 62      |
| ○ | 0300B12-26  | ¾               | 19.0 | 12         | M26 x 1.5 | 28   | 32  | 65      |

## 1350B Metric Banjo



|   | Part Number | Hose I.D. |      | Dimensions |           |    |    |
|---|-------------|-----------|------|------------|-----------|----|----|
|   |             | in        | mm   | Dash size  | Hole      |    |    |
|   |             |           |      |            | T         | H  | S  |
| ○ | 1350B04-10  | 1/4       | 6.4  | 04         | M10 x 1   | 11 | 17 |
| ○ | 1350B04-12  | 1/4       | 6.4  | 04         | M12 x 1.5 | 12 | 20 |
| ○ | 1350B04-14  | 1/4       | 6.4  | 04         | M14 x 1.5 | 14 | 24 |
| ○ | 1350B05-12  | 5/16      | 7.9  | 05         | M12 x 1.5 | 12 | 20 |
| ○ | 1350B05-14  | 5/16      | 7.9  | 05         | M14 x 1.5 | 14 | 24 |
| ○ | 1350B05-16  | 5/16      | 7.9  | 05         | M16 x 1.5 | 19 | 28 |
| ○ | 1350B06-16  | 3/8       | 9.5  | 06         | M16 x 1.5 | 19 | 28 |
| ○ | 1350B06-18  | 3/8       | 9.5  | 06         | M18 x 1.5 | 20 | 32 |
| ○ | 1350B08-18  | 1/2       | 12.7 | 08         | M18 x 1.5 | 20 | 32 |
| ○ | 1350B08-22  | 1/2       | 12.7 | 08         | M22 x 1.5 | 23 | 36 |
| ○ | 1350B10-18  | 5/8       | 15.9 | 10         | M18 x 1.5 | 20 | 32 |

## 1400B BSP Banjo



|   | Part Number | Hose I.D. |      | Dimensions |      |    |    |
|---|-------------|-----------|------|------------|------|----|----|
|   |             | in        | mm   | Dash size  | Hole |    |    |
|   |             |           |      |            | T    | H  | S  |
| ○ | 1400B04-04  | 1/4       | 6.4  | 04         | 1/4  | 14 | 24 |
| ○ | 1400B05-04  | 5/16      | 7.9  | 05         | 1/4  | 14 | 24 |
| ○ | 1400B05-06  | 5/16      | 7.9  | 05         | 3/8  | 17 | 28 |
| ○ | 1400B06-04  | 3/8       | 9.5  | 06         | 1/4  | 14 | 24 |
| ○ | 1400B06-06  | 3/8       | 9.5  | 06         | 3/8  | 17 | 28 |
| ○ | 1400B08-06  | 1/2       | 12.7 | 08         | 3/8  | 17 | 28 |
| ○ | 1400B08-08  | 1/2       | 12.7 | 08         | 1/2  | 22 | 35 |
| ○ | 1400B10-06  | 5/8       | 15.9 | 10         | 3/8  | 17 | 28 |
| ○ | 1400B10-08  | 5/8       | 15.9 | 10         | 1/2  | 22 | 35 |
| ○ | 1400B10-12  | 5/8       | 15.9 | 10         | 3/4  | 29 | 45 |
| ○ | 1400B12-12  | 3/4       | 19.0 | 12         | 3/4  | 29 | 45 |
| ○ | 1400B16-12  | 1         | 25.4 | 16         | 3/4  | 29 | 45 |
| ○ | 1400B16-16  | 1         | 25.4 | 16         | 1    | 35 | 55 |