



FITTINGS – ONE-PIECE
[SPIRAL HOSE, NO-SKIVE]

FITTINGS - ONE-PIECE [SPIRAL HOSE, NO-SKIVE]

Section X, Page:

3

4

**NPTF
NPSM**



0370

NPTF Male 60° Seat

AGN

JIC 37°



0850

JIC Male 37°

AGJ

Section X, Page:

5

6

7

JIC 37°



0900

Female 37° Back Hex TW

DKJ



1000

45° Swept Elbow TW

DKJ-45°



0950

90° Swept Elbow TW

DKJ-90°

Section X, Page:

8

9

10

11

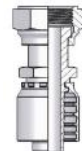
ORFS



S350

ORFS Male

ORFS



S05T

Female Back Hexagon

ORFS



S250

45° Swept Elbow

ORFS 45°



S150

90° Swept Elbow

ORFS 90°

Section X, Page:

12

13

**SAE
Boss**



0385

SAE Male OR

SAE-OR

**JIS
KOMATSU**



0940

JIS Komatsu

JIS-K

Section X, Page:

14

15

16

**Kobelco
Male**



KO5B

Kobelco Metric Male

KOB

BSP 60°



0360

BSP Male 60° Seat

AGR-K



0350

BSP Male 60° Seat

AGR

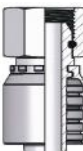
Section X, Page:

17

18

19

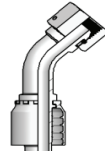
BSP 60°



0050

BSP Female 60° TW

DKR



0250

45° Swept Elbow TW

DKR-45°



0150

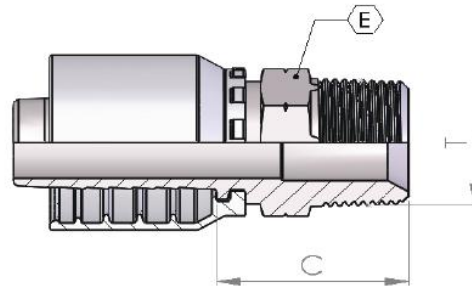
90° Swept Elbow TW

DKR-90°

Section X, Page:	20	21	21	22	23
Metric Din 24° DKOL					
	0500 Metric Male 24° CEL	0085 Female 24° OR TW DKOL	0085 Female 24° OR R DKOL	0285 45° Swept Elbow OR DKOL-45°	0185 90° Swept Elbow OR DKOL-90°
Section X, Page:	24	25	26	27	
Metric Din 24° DKOS					
	0450 Metric Male 24° CES	0084 Female 24° OR DKOS	0284 45° Swept Elbow OR DKOS-45°	0184 90° Swept Elbow OR DKOS-90°	
Section X, Page:	28	29	29	30	
SAE Code 61					
	1250 Code 61 Solid SFL	1150 Code 61 Solid 45° SFL 45°	1050 Code 61 Solid 90° SFL 90°	1050 Code 61 Solid SFL 22.5°/30°/60°/67.5°	
Section X, Page:	31	32	32	33	
SAE Code 62					
	1300 Code 62 Solid SFS	1200 Code 62 Solid 45° SFS 45°	1100 Code 62 Solid 90° SFS 90°	1100 Code 62 Solid SFS 30°/60°	
Section X, Page:	34	35	35		
SuperCAT Flanges					
	130S SuperCAT Flange Solid SFC	120S SuperCAT Flange Solid 45° SFC 45°	110S SuperCAT Flange Solid 90° SFC 90°		

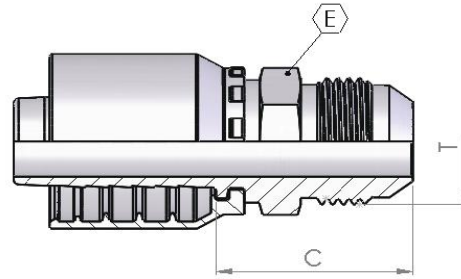
FITTINGS - ONE-PIECE [SPIRAL HOSE, NO-SKIVE]

0370 NPTF Male 60° Cone
(AGN)



Part Number	Hose I.D.		Dimension					
			Dash size	Thread T	Hex		Cut-Off	
	in	mm			E mm	in	C mm	in
0370X12-12	3/4	19	12	3/4 - 14	27	1 1/16	39	1.535
0370X12-16	3/4	19	12	1 - 11 1/2	36	1 7/16	44	1.732
0370X16-12	1	25.4	16	3/4 - 14	32	1 1/4	40	1.574
0370X16-16	1	25.4	16	1 - 11 1/2	36	1 7/16	46	1.811
0370X16-20	1	25.4	16	1 1/4 - 11 1/2	46	1 13/16	48	1.889
0370X20-16	1 1/4	31.8	20	1 - 11 1/2	41	1 5/8	45	1.772
0370X20-20	1 1/4	31.8	20	1 1/4 - 11 1/2	46	1 13/16	47	1.850
0370X24-24	1 1/2	38.1	24	1 1/2 - 11 1/2	50	2	49	1.929

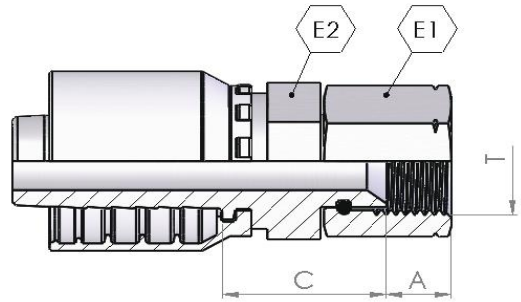
0850 JIC Male 37° Cone
(AGJ)



Part Number	Hose I.D.		Dimension					
			Dash size	Thread T	Hex E		Cut-Off C	
	in	mm			mm	in	mm	in
	0850X12-10	3/4	19	12	7/8 - 14	24	31/32	38
0850X12-12	3/4	19	12	1 1/16 - 12	27	1 1/16	40	1.496
0850X12-14	3/4	19	12	1 3/16 - 12	32	1 1/4	45	1.614
0850X12-16	3/4	19	12	1 5/16 - 12	34	1 3/8	44	1.654
0850X12-20	3/4	19	12	1 7/8 - 12	42	1 11/16	47	1.772
0850X16-12	1	25.4	16	1 1/16 - 12	27	1 1/16	41	1.535
0850X16-14	1	25.4	16	1 3/16 - 12	32	1 1/4	44	1.654
0850X16-16	1	25.4	16	1 5/16 - 12	34	1 3/8	45	1.693
0850X16-20	1	25.4	16	1 7/8 - 12	42	1 11/16	48	1.811
0850X20-20	1 1/4	31.8	20	1 7/8 - 12	42	1 11/16	47	1.850
0850X20-24	1 1/4	31.8	20	1 7/8 - 12	50	2	52	2.047
0850X24-24	1 1/2	38.1	24	1 7/8 - 12	50	2	52	2.047

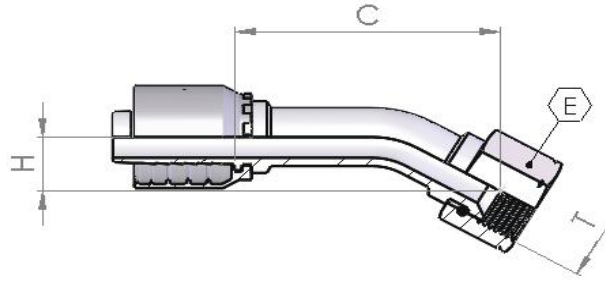
FITTINGS - ONE-PIECE [SPIRAL HOSE, NO-SKIVE]

0900 JIC Female 37° Cone
(DKJ)



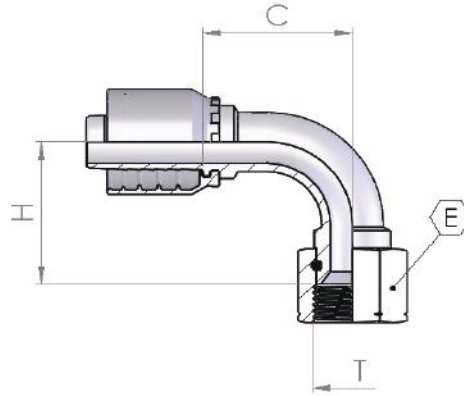
Part Number	Hose I.D.		Dash	Thread	Dimension							
					Hex				Cut-Off			
					E1		E2		C		A	
in	mm	size	T	mm	in	mm	in	mm	in	mm	in	
0900X12-10	3/4	19	12	7/8 - 14	27	1 1/16	27	1 1/16	32.5	1.280	12	0.472
0900X12-12	3/4	19	12	1 1/16 - 12	32	1 1/4	27	1 1/4	32.5	1.280	14	0.551
0900X12-16	3/4	19	12	1 5/16 - 12	41	1 5/8	32	1 1/4	36	1.417	14.5	0.571
0900X16-12	1	25.4	16	1 1/16 - 12	32	1 1/4	32	1 1/4	34	1.339	14	0.551
0900X16-16	1	25.4	16	1 5/16 - 12	41	1 5/8	36	1 1/16	37	1.457	14.5	0.571
0900X16-20	1	25.4	16	1 5/8 - 12	50	2	41	1 5/8	44	1.732	16.5	0.650
0900X20-20	1 1/4	31.8	20	1 5/8 - 12	50	2	46	1 13/16	46	1.811	16.5	0.650
0900X20-24	1 1/4	31.8	20	1 7/8 - 12	55	2 3/16	50	2	47	1.850	19	0.748
0900X24-24	1 1/2	38.1	24	1 7/8 - 12	55	2 3/16	50	2	49	1.929	19	0.748

1000 JIC 45° Swept Elbow 37° Cone
(DKJ-45°)



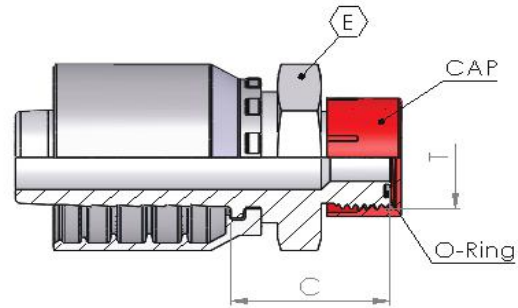
Part Number	Hose I.D.		Dimension							
			Dash size	Thread T	Hex E		Drop H		Cut-Off C	
	in	mm			mm	in	mm	in	mm	in
1000X12-12	3/4	19	12	1 1/16 - 12	32	1 1/4	28	1.102	85	3.346
1000X12-14	3/4	19	12	1 1/16 - 12	36	1 1/16	29	1.141	87	3.425
1000X12-16	3/4	19	12	1 1/16 - 12	41	1 5/8	30	1.181	89	3.503
1000X16-16	1	25.4	16	1 1/16 - 12	41	1 5/8	36	1.417	109	4.291
1000X16-20	1	25.4	16	1 5/8 - 12	50	2	39	1.535	112	4.409
1000X20-20	1 1/4	31.8	20	1 5/8 - 12	50	2	40	1.575	108	4.252
1000X20-24	1 1/4	31.8	20	1 7/8 - 12	55	2 3/16	39	1.535	89	3.504
1000X24-24	1 1/2	38.1	24	1 7/8 - 12	55	2 3/16	49	1.929	119	4.685

0950 JIC 90° Swept Elbow 37° Cone
(DKJ-90°)



Part Number	Hose I.D.		Dimension							
			Dash size	Thread T	Hex E		Drop H		Cut-Off C	
	in	mm			mm	in	mm	in	mm	in
0950X12-12	3/4	19	12	1 1/16 - 12	32	1 1/4	54	2.126	58	2.283
0950X12-14	3/4	19	12	1 3/16 - 12	36	1 1/16	54	2.125	58	2.283
0950X12-16	3/4	19	12	1 5/16 - 12	41	1 5/8	56	2.204	56	2.204
0950X16-16	1	25.4	16	1 5/16 - 12	41	1 5/8	68	2.677	72	2.835
0950X16-20	1	25.4	16	1 5/8 - 12	50	2	74	2.913	72	2.834
0950X20-20	1 1/4	31.8	20	1 5/8 - 12	50	2	83	3.268	87	3.425
0950X20-24	1 1/4	31.8	20	1 7/8 - 12	55	2 3/16	88	3.465	81	3.189
0950X24-24	1 1/4	38.1	24	1 7/8 - 12	55	2 3/16	97	3.819	102	4.016

S350 ORFS Male
(ORFS)

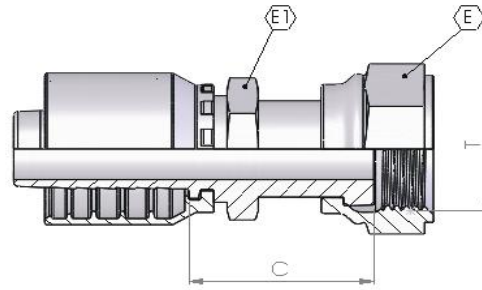


Fitting ships with cap and O-Ring

Part Number	Hose I.D.		Dimension					
			Dash size	Thread T	Hex E		Cut-Off C	
	in	mm			mm	in	mm	in
S350X12-14	3/4	19	12	1 1/16 - 12	32	1 1/4	36	1.417
S350X12-15	3/4	19	12	1 1/16 - 12	38	1 1/2	36	1.417
S350X16-15	1	25.4	16	1 1/4 - 12	38	1 1/2	37	1.457
S350X16-21	1	25.4	16	1 1/16 - 12	46	1 3/16	38	1.496
S350X20-21	1 1/4	31.8	20	1 1/16 - 12	46	1 3/16	39	1.535
S350X24-32	1 1/2	38.1	24	2 - 12	55	2 3/16	43	1.692

S05T ORFS Female Back Hexagon

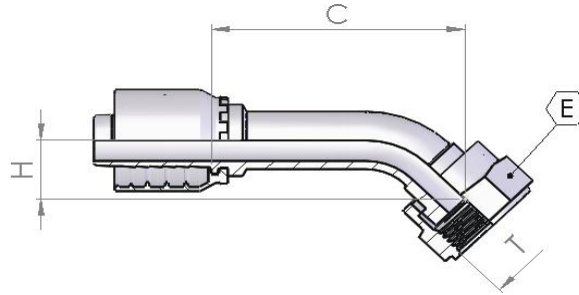
(ORFS)



Part Number	Hose I.D.		Dash	Thread	Dimension					
					Hex				Cut-Off	
	in	mm			size	T	mm	in	mm	in
S05TX12-13	3/4	19	12	1 - 14	30	1 3/16	30	1 3/16	43	1.692
S05TX12-14	3/4	19	12	1 1/16 - 12	36	1 7/16	30	1 3/16	44	1.732
S05TX12-15	3/4	19	12	1 1/16 - 12	41	1 5/8	30	1 3/16	50	1.968
S05TX16-14	1	25.4	16	1 3/16 - 12	36	1 7/16	36	1 7/16	45	1.771
S05TX16-15	1	25.4	16	1 7/16 - 12	41	1 5/8	36	1 7/16	52	2.047
S05TX20-21	1 1/4	31.8	20	1 11/16 - 12	46	1 13/16	50	2	53	2.067
S05TX24-32	1 1/2	38.1	24	2 - 12	50	2	60	2 3/8	56	2.185

S250 ORFS 45° Swept Elbow

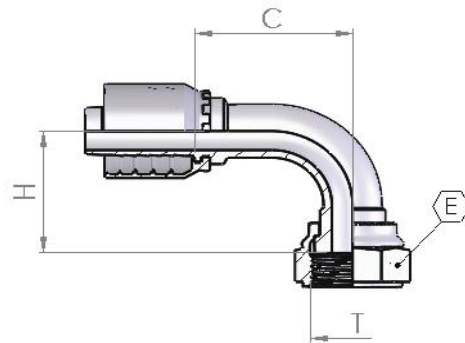
(ORFS-45°)



Part Number	Hose I.D.		Dimension							
			Dash size	Thread T	Hex		Drop		Cut-Off	
					E	H	H	C		
S250X12-13	3/4	19	12	1 - 14	30	1 3/16	15	0.591	42	1.654
S250X12-14	3/4	19	12	1 3/16 - 12	36	1 7/16	23	0.906	86	3.386
S250X12-15	3/4	19	12	1 7/16 - 12	41	1 5/8	26	1.023	89	3.503
S250X16-15	1	25.4	16	1 7/16 - 12	41	1 5/8	31	1.220	102	4.016
S250X16-21	1	25.4	16	1 11/16 - 12	50	2	31	1.220	101	3.976
S250X20-21	1 1/4	31.8	20	1 11/16 - 12	50	2	44	1.732	125	4.921
S250X24-32	1 1/2	38.1	24	2 - 12	60	2 3/4	29	1.142	78	3.071

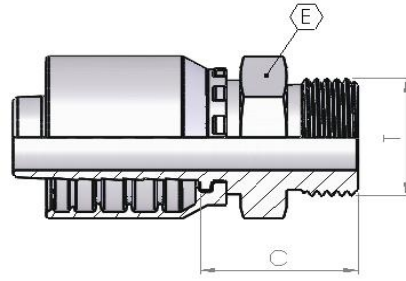
S150 ORFS 90° Swept Elbow

(ORFS-90°)



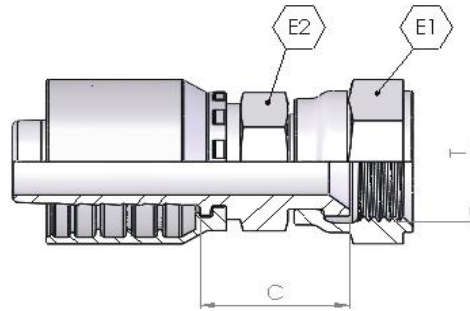
Part Number	Hose I.D.		Dimension							
			Dash size	Thread T	Hex		Drop		Cut-Off	
	in	mm			mm	in	mm	in	mm	in
S150X12-13	3/4	19	12	1 - 14	30	1 3/16	39	0.535	44	1.732
S150X12-14	3/4	19	12	1 3/16 - 12	36	1 7/16	49	0.929	59	2.323
S150X12-15	3/4	19	12	1 7/16 - 12	41	1 5/8	51	2.008	58	2.283
S150X16-15	1	25.4	16	1 7/16 - 12	41	1 5/8	62	2.441	69	2.717
S150X16-21	1	25.4	20	1 11/16 - 12	50	2	58	2.283	64	2.520
S150X20-21	1 1/4	31.8	20	1 11/16 - 12	50	2	58	2.283	63	2.480
S150X24-32	1 1/2	38.1	24	2 - 12	60	2	73	2.874	80	3.150

0385 SAE Male O-Ring Flat Seat
(SAE-OR)



Part Number	Hose I.D.		Dimension					
			Dash size	Thread T	Hex E		Cut-Off H	
	in	mm			mm	in	mm	in
0385X12-12	3/4	19	12	1 1/16 - 14	32	1 1/4	35	1.378
0385X12-16	3/4	19	12	1 1/16 - 12	38	1 1/2	38	1.496

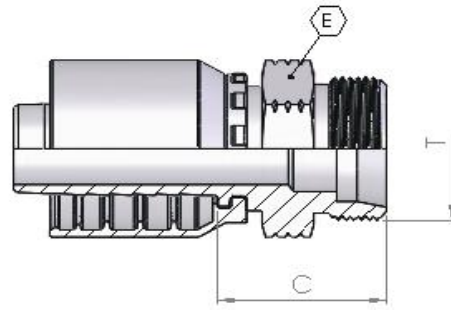
0940 JIS Female 60° Cone (Komatsu)
(JIS-K)



Part Number	Hose I.D.		Dimension							
			Dash size	Thread T	Hex				Cut-Off	
	E	E1			C					
in	mm	mm	in	mm	in	mm	in	mm	in	
0940X12-30	¾	19	12	M30 x 1.5	36	1 ¼	30	1 ¼	32	1.260
0940X16-33	1	25.4	16	M33 x 1.5	41	1 ⅝	36	1 ¼	35	1.378
0940X20-36	1 ¼	31.8	20	M36 x 1.5	46	1 13/16	46	1 13/16	37	1.457
0940X24-42	1 ½	38.1	24	M42 x 1.5	50	2	50	2	38	1.496

KO5B Kobelco Male

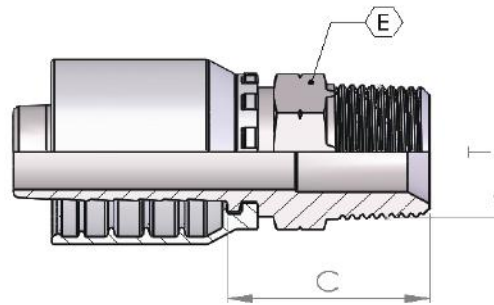
Kobelco Male



Part Number	Hose I.D.		Dimension						
			Dash size	Thread T	Tube	Hex E		Cut-Off H	
	in	mm				mm	in	mm	in
KO5BX12-30	3/4	19	12	M30 x 1.5	22	32	1 1/4	37	1.457
KO5BX12-36	3/4	19	12	M36 x 1.5	28	41	1 5/8	38	1.496
KO5BX16-36	1	25.4	16	M36 x 1.5	28	41	1 5/8	39	1.535
KO5BX16-45	1	25.4	16	M45 x 1.5	35	50	2	40	1.575

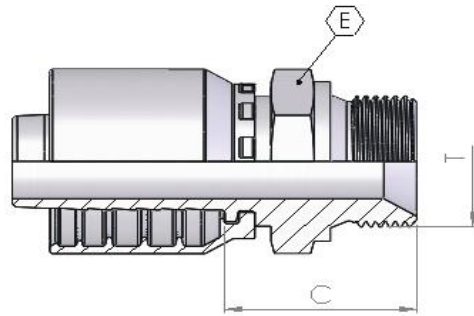
0360 **BSP Taper Male 60° Cone**

(AGR-K)



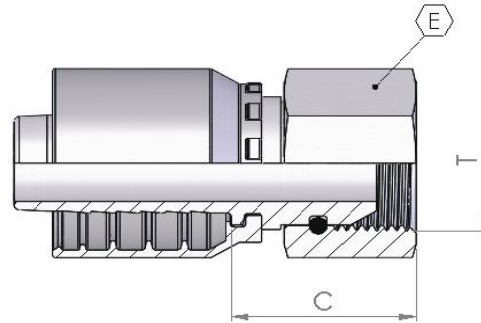
Part Number	Hose I.D.		Dimension					
			Dash size	Thread T	Hex E		Cut-Off C	
	in	mm			mm	in	mm	in
0360X12-12	3/4	19	12	3/4 - 14	27	1 1/16	39	1.457
0360X12-16	3/4	19	12	1 - 11	36	1 1/16	45	1.693
0360X16-16	1	25.4	16	1 - 11	36	1 1/16	46	1.732
0360X16-20	1	25.4	16	1 1/4 - 11	46	1 13/16	48	1.811
0360X20-20	1 1/4	31.8	20	1 1/4 - 11	46	1 13/16	47	1.850
0360X20-24	1 1/4	31.8	20	1 1/2 - 11	50	2	49	1.929
0360X24-24	1 1/2	38.1	24	1 1/2 - 11	50	2	49	1.929
0360X24-32	1 1/2	38.1	24	2 - 11	65	2 1/16	55	2.165

0350 BSP Male Parallel 60° Cone
(AGR)



Part Number	Hose I.D.		Dimension					
			Dash size	Thread T	Hex E		Cut-Off C	
	in	mm			mm	in	mm	in
0350X12-12	¾	19	12	¾ - 14	32	1¼	38	1.496
0350X12-16	¾	19	12	1 - 11	41	1⅝	41	1.614
0350X16-16	1	25.4	16	1 - 11	41	1⅝	42	1.654
0350X16-20	1	25.4	16	1¼ - 11	50	2	46	1.811
0350X20-16	1¼	31.8	20	1 - 11	41	1⅝	41	1.614
0350X20-20	1¼	31.8	20	1¼ - 11	50	2	45	1.722
0350X20-24	1¼	31.8	20	1½ - 11	55	2⅜	46	1.811
0350X24-24	1½	38.1	24	1½ - 11	55	2⅜	46	1.811
0350X24-32	1½	38.1	24	2 - 11	70	2¾	54	2.126

0050 BSP Female 60° Cone
(DKR)



Part Number	Hose I.D.		Dimension					
			Dash size	Thread T	Hex E		Cut-Off C	
	in	mm			mm	in	mm	in
	0050X12-12	3/4	19	12	3/4 - 14	32	1 1/4	38
0050X12-16	3/4	19	12	1 - 11	38	1 1/2	28	1.102
0050X16-12	1	25.4	16	3/4 - 14	32	1 1/4	29	1.141
0050X16-16	1	25.4	16	1 - 11	38	1 1/2	30	1.181 (*)
0050X16-20	1	25.4	16	1 1/4 - 11	50	2	30	1.181 (*)
0050X20-16	1 1/4	31.8	20	1 - 11	38	1 1/2	33	1.299 (*)
0050X20-20	1 1/4	31.8	20	1 1/4 - 11	50	2	32	1.260 (*)
0050X20-24	1 1/4	31.8	20	1 1/2 - 11	55	2 3/16	34	1.339 (*)
0050X24-20	1 1/2	38.1	24	1 1/4 - 11	50	2	35	1.377 (*)
0050X24-24	1 1/2	38.1	24	1 1/2 - 11	55	2 3/16	34	1.339 (*)
0050X24-32	1 1/2	38.1	24	2 - 11	70	2 3/4	34	1.339 (*)
0050X24-24	1 1/2	38.1	24	1 1/2 - 11	55	2 3/16	34	1.339 (*)
0050X24-32	1 1/2	38.1	24	2 - 11	70	2 3/4	34	1.339 (*)

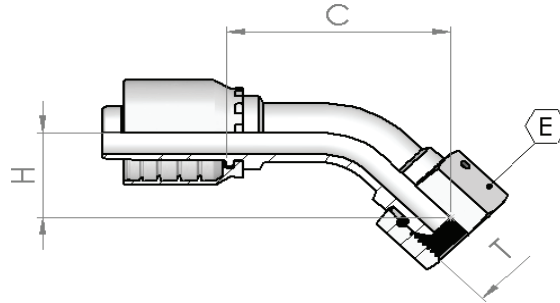


(*) - BSP female with O-Ring

(*) - available without O-Ring (Use order code: 005X).

0250 BSP 45° Swept Elbow 60° Cone

(DKR-45°)



Part Number	Hose I.D.		Dimension							
			Dash size	Thread T	Hex E		Drop H		Cut-Off C	
	in	mm			mm	in	mm	in	mm	in
0250X12-12	¾	19	12	¾ - 14	32	1¼	29	1.142	87	3.425
0250X16-16	1	25.4	16	1 - 11	38	1½	35	1.378	108	4.252 (*)
0250X16-20	1	25.4	16	1¼ - 11	50	2	33	1.299	70	2.756 (*)
0250X20-20	1¼	31.8	20	1¼ - 11	50	2	40	1.575	107	4.213 (*)
0250X20-24	1¼	31.8	20	1½ - 11	55	2⅜	41	1.614	91	3.583 (*)
0250X24-24	1½	38.1	24	1½ - 11	55	2⅜	47	1.850	117	4.606 (*)
0250X24-32	1½	38.1	24	2 - 11	70	2¾	53	2.087	114	4.488 (*)



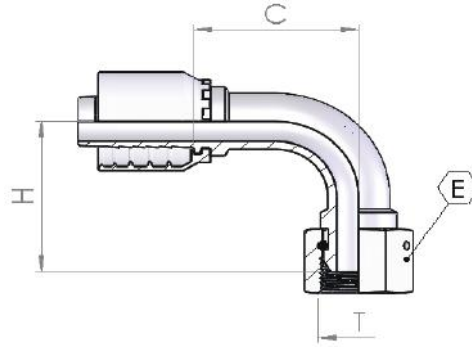
O-Ring

(*) - BSP female with O-Ring

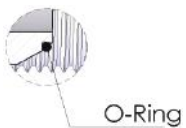
(*) - available without O-Ring (Use order code: 025X)

0150 BSP 90° Swept Elbow 60° Cone

(DKR-90°)



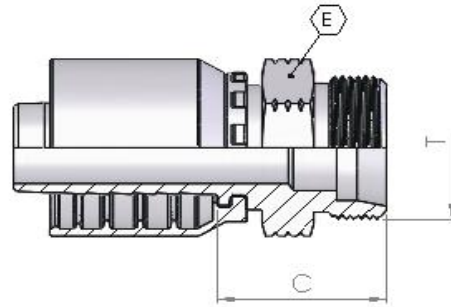
Part Number	Hose I.D.		Dimension							
			Dash size	Thread T	Hex		Drop		Cut-Off	
					E	H	H	C		
0150X12-12	3/4	19	12	3/4 - 14	32	1 1/4	56	2.205	58	2.283
0150X12-16	3/4	19	12	1 - 11	38	1 1/2	60	2.362	58	2.283
0150X16-16	1	25.4	16	1 - 11	38	1 1/2	68	2.677	72	2.835 (*)
0150X16-20	1	25.4	16	1 1/4 - 11	50	2	72	2.835	62	2.441 (*)
0150X20-20	1 1/4	31.8	20	1 1/4 - 11	50	2	81	3.189	86	3.386 (*)
0150X20-24	1 1/4	31.8	20	1 1/2 - 11	55	2 3/16	89	3.504	81	3.189 (*)
0150X24-24	1 1/2	38.1	24	1 1/2 - 11	55	2 3/16	95	3.740	103	4.055 (*)
0150X24-32	1 1/2	38.1	24	2 - 11	70	2 3/4	113	4.449	102	4.016 (*)



(*) - BSP female with O-Ring

(*) - available without O-Ring (Use order code: 015X).

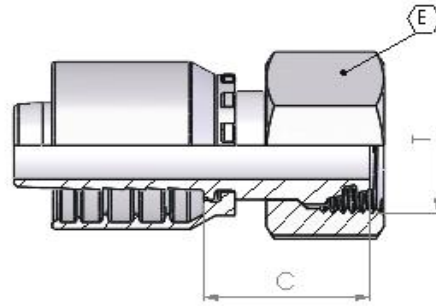
0500 Metric Male 24° Seat Light
(CEL)



Part Number	Hose I.D.		Dimension							
			Dash size	Thread T	Tube		Hex E		Cut-Off C	
	in	mm			mm	in	mm	in	mm	in
0500X12-26	3/4	19	12	M26 x 1.5	18	0.709	27	1 1/16	30	1.181
0500X12-30	3/4	19	12	M30 x 2	22	0.866	30	1 3/16	35	1.378
0500X12-36	3/4	19	12	M36 x 2	28	1.102	36	1 7/16	32	1.259
0500X16-36	1	25.4	16	M36 x 2	28	1.102	36	1 7/16	34	1.339
0500X20-45	1 1/4	31.8	20	M45 x 2	35	1.772	46	1 9/16	36	1.417
0500X20-52	1 1/4	31.8	20	M52 x 2	42	1.653	55	2 3/16	41	1.614
0500X24-52	1 1/2	31.8	24	M52 x 2	42	2.126	55	2 3/16	38	1.496

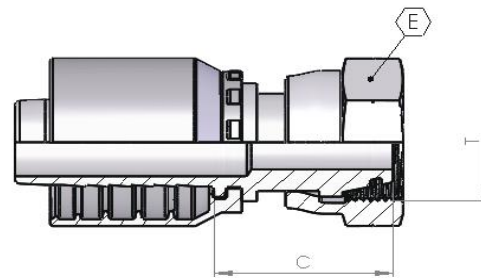
FITTINGS - ONE-PIECE [SPIRAL HOSE, NO-SKIVE]

0085 Metric Female 24° Seat Light (DKOL)



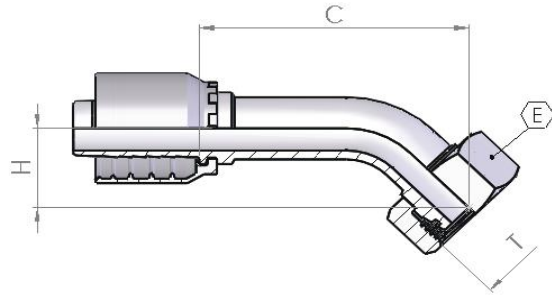
Part Number	Hose I.D.		Dimension							
			Dash size	Thread T	Tube		Hex E		Cut-Off C	
	in	mm			mm	in	mm	in	mm	in
0085X12-30	3/4	19	12	M30 x 2	22	0.866	36	1 1/16	31	1.220
0085X12-36	3/4	19	12	M36 x 2	28	1.102	41	1 1/4	30	1.181
0085X16-36	1	25.4	16	M36 x 2	28	1.102	41	1 1/4	32	1.260
0085X20-45	1 1/4	31.8	20	M45 x 2	35	1.378	50	1 7/16	40	1.575
0085X24-45	1 1/4	38.1	24	M52 x 2	42	1.654	50	2 3/8	41	1.614

0085 Metric Female 24° Seat Light (Rolled Nut) (DKOL)



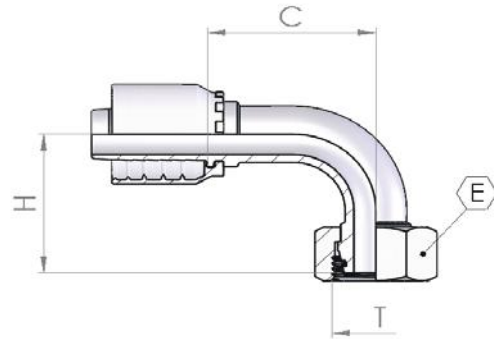
Part Number	Hose I.D.		Dimension							
			Dash size	Thread T	Tube		Hex E		Cut-Off C	
	in	mm			mm	in	mm	in	mm	in
0085X12-26	3/4	19	12	M26 x 2	18	0.709	32	1 1/4	38	1.496

0285 45° Metric Swept Elbow 24° Seat Light
(DKOL-45°)



Part Number	Hose I.D.		Dimension									
			Dash size	Thread T	Tube		Hex E		Drop H		Cut-Off C	
	in	mm			mm	in	mm	in	mm	in	mm	in
0285X12-26	¾	19	12	M26 x 1.5	18	0.709	32	1¼	19	1.748	45	1.772
0285X12-30	¾	19	12	M30 x 2	22	1.866	36	1¼ ₁₆	27	1.063	87	3.425
0285X16-36	1	25.4	16	M36 x 2	28	1.102	41	1½	32	1.260	104	4.094
0285X20-45	1¼	31.8	20	M45 x 2	35	1.102	50	2	34	1.102	72	2.835
0285X24-52	1½	38.1	24	M52 x 2	42	1.654	60	2¾	36	1.417	85	3.346

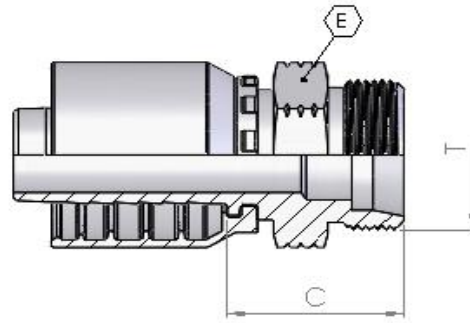
0185 90° Metric Swept Elbow 24° Seat Light
 (DKOL-90°)



Part Number	Hose I.D.		Dimension									
			Dash size	Thread T	Tube		Hex E		Drop H		Cut-Off C	
	in	mm			mm	in	mm	in	mm	in	mm	in
0185X12-26	¾	19	12	M26 x 1.5	18	0.709	32	1¼	44	1.732	44	1.732
0185X12-30	¾	19	12	M30 x 2	22	0.866	36	1⅙	52	2.047	60	2.362
0185X12-36	¾	19	12	M36 x 2	28	1.102	41	1⅝	51	2.008	51	2.008
0185X16-36	1	25.4	16	M36 x 2	28	1.102	41	1⅝	62	2.441	74	2.913
0185X20-45	1¼	31.8	20	M45 x 2	35	1.102	50	2	73	1.102	63	1.102
0185X24-52	1½	38.1	24	M52 x 2	42	1.654	60	2⅝	83	3.268	81	3.189

0450 Metric Male 24° Seat Heavy

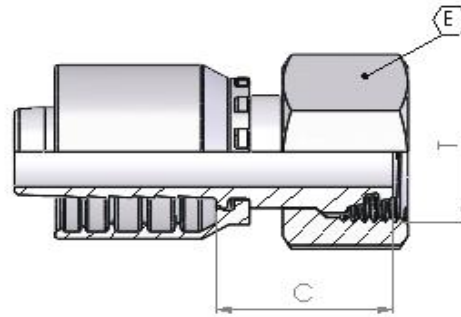
(CES)



Part Number	Hose I.D.		Dimension							
			Dash size	Thread T	Tube		Hex E		Cut-Off C	
	in	mm			mm	in	mm	in	mm	in
0450X12-30	3/4	19	12	M30 x 2	20	0.787	36	1 1/16	36	1.417
0450X12-36	3/4	19	12	M36 x 2	25	0.984	36	1 1/16	40	1.575
0450X16-36	1	25.4	16	M36 x 2	25	0.984	36	1 1/16	41	1.614
0450X16-42	1	25.4	16	M42 x 2	30	1.181	46	1 3/16	44	1.732
0450X20-42	1 1/4	31.8	20	M42 x 2	30	1.181	46	1 3/16	43	1.693
0450X20-52	1 1/4	31.8	20	M52 x 2	38	1.496	55	2 3/16	45	1.772
0450X24-52	1 1/2	38.1	24	M52 x 2	38	1.496	55	2 3/16	45	1.772

0084 Metric Female 24° Seat Heavy

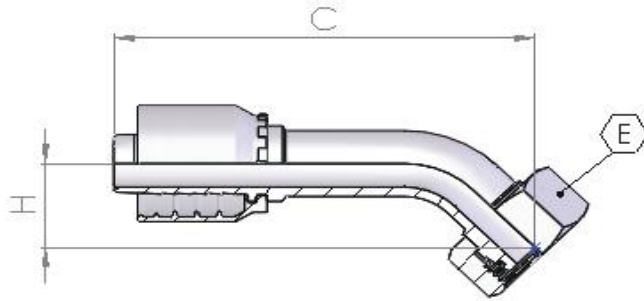
(DKOS)



Part Number	Hose I.D.		Dimension							
			Dash	Thread	Tube		Hex E		Cut-Off C	
	in	mm	size	T	mm	in	mm	in	mm	in
0084X12-30	3/4	19	12	M30 x 2	20	0.787	36	1 1/16	35	1.378
0084X12-36	3/4	19	12	M36 x 2	25	0.984	46	1 13/16	41	1.614
0984X16-36	1	25.4	16	M36 x 2	25	0.984	46	1 13/16	43	1.693
0084X16-42	1	25.4	16	M42 x 2	30	1.181	50	2	45	1.772
0084X20-42	1 1/4	31.8	20	M42 x 2	30	1.181	50	2	47	1.850
0084X20-52	1 1/4	31.8	20	M52 x 2	38	1.496	60	2 3/8	44	1.732
0084X24-52	1 1/2	38.1	24	M52 x 2	38	1.496	60	2 3/8	44	1.732

0284 45° Metric Swept Elbow 24° Seat Heavy

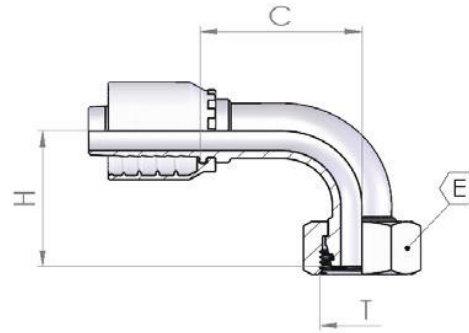
(DKOS-45°)



Part Number	Hose I.D.		Dimension									
			Dash size	Thread T	Tube		Hex E		Drop H		Cut-Off C	
	in	mm			mm	in	mm	in	mm	in	mm	in
0284X12-30	3/4	19	12	M30 x 2	20	0.787	36	1 1/16	30	1.181	91	3.583
0284X12-36	3/4	19	12	M36 x 2	25	0.984	46	1 13/16	31	1.220	91	3.583
0284X16-36	1	25.4	16	M36 x 2	25	0.984	46	1 13/16	34	1.338	106	4.173
0284X16-42	1	25.4	16	M42 x 2	30	1.181	50	2	33	1.299	107	4.213
0284X20-52	1 1/4	31.8	20	M52 x 2	38	1.496	60	2 3/8	39	1.535	105	4.134
0284X24-52	1 1/2	38.1	24	M52 x 2	38	1.496	60	2 3/8	44	1.732	150	5.906

0184 90° Metric Swept Elbow 24° Seat Heavy

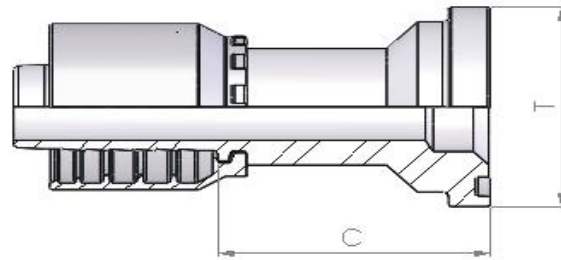
(DKOS-90°)



Part Number	Hose I.D.		Dimension									
			Dash size	Thread T	Tube		Hex E		Drop H		Cut-Off C	
	in	mm			mm	in	mm	in	mm	in	mm	in
0184X12-30	3/4	19	12	M30 x 2	20	0.787	36	1 1/16	56	2.205	59	2.323
0184X12-36	3/4	19	12	M36 x 2	25	0.984	46	1 13/16	59	2.323	58	2.283
0184X16-36	1	25.4	16	M36 x 2	25	0.984	46	1 13/16	67	2.637	70	2.755
0184X16-42	1	25.4	16	M42 x 2	30	1.181	50	2	67	2.638	74	2.913
0184X20-52	1 1/4	31.8	20	M52 x 2	38	1.496	60	2 3/8	82	3.228	84	3.307
0184X24-52	1 1/2	38.1	24	M52 x 2	38	1.496	60	2 3/8	94	3.701	99	3.898

1250 Straight SAE Flange - Code 61

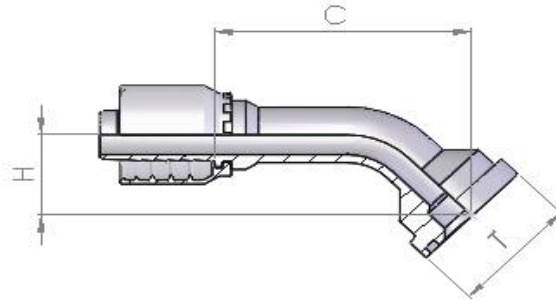
(SFL)



Part Number	Hose I.D.		Dimension				
			Dash size	Flange		Cut-Off C	
	in	mm			T	mm	mm
1250X12-12	¾	19	12	¾	38.1	51	2.008
1250X12-16	¾	19	12	1	44.5	54	2.126
1250X16-16	1	25.4	16	1	44.5	56	2.205
1250X16-20	1	25.4	16	1¼	50.8	59	2.323
1250X20-20	1¼	31.8	20	1¼	50.8	59	2.323
1250X20-24	1¼	31.8	20	1½	60.3	62	2.441
1250X24-24	1½	38.1	24	1½	60.3	62	2.441
1250X24-32	1½	38.1	24	2	71.4	67	2.638

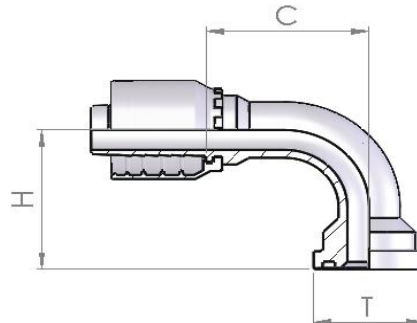
FITTINGS - ONE-PIECE [SPIRAL HOSE, NO-SKIVE]

1150 45° SAE Flange - Code 61
(SFL 45°)

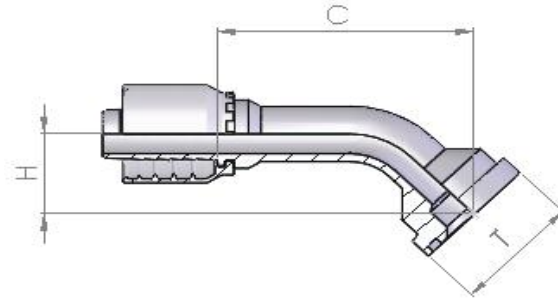


Part Number	Hose I.D.		Dimension						
			Dash size	Flange		Drop		Cut-Off	
	in	mm			T	mm	mm	in	mm
1150X12-12	3/4	19	12	3/4	38.1	27	1.063	84	3.307
1150X12-16	3/4	19	12	1	44.5	30	1.181	88	3.465
1150X16-16	1	25.4	16	1	44.5	33	1.299	106	4.173
1150X16-20	1	25.4	16	1 1/4	50.8	37	1.457	110	4.331
1150X20-20	1 1/4	31.8	20	1 1/4	50.8	38	1.496	102	4.016
1150X20-24	1 1/4	31.8	20	1 1/2	60.3	39	1.535	129	5.079
1150X24-24	1 1/2	38.1	24	1 1/2	60.3	44	1.732	114	4.488
1150X24-32	1 1/2	38.1	24	2	71.4	47	1.850	148	5.827

1050 90° SAE Flange - Code 61
(SFL 90°)



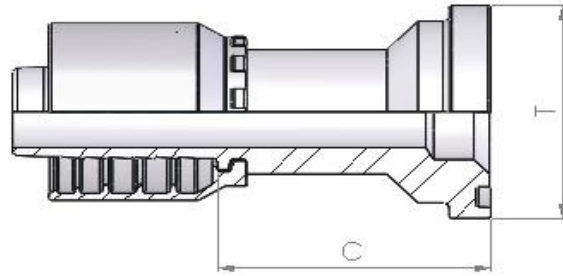
Part Number	Hose I.D.		Dimension						
			Dash size	Flange		Drop		Cut-Off	
	in	mm			T	mm	mm	in	mm
1050X12-12	3/4	19	12	3/4	38.1	53	2.087	58	2.283
1050X12-16	3/4	19	12	1	44.5	58	2.283	58	2.283
1050X16-16	1	25.4	16	1	44.5	65	2.559	72	2.835
1050X16-20	1	25.4	16	1 1/4	50.8	70	2.756	72	2.835
1050X20-16	1 1/4	31.8	20	1	44.5	77	3.031	81	3.189
1050X20-20	1 1/4	31.8	20	1 1/4	50.8	77	3.031	86	3.386
1050X20-24	1 1/4	31.8	20	1 1/2	60.3	81	3.189	85	3.346
1050X24-24	1 1/2	38.1	24	1 1/2	60.3	89	3.504	98	3.858
1050X24-32	1 1/2	38.1	24	2	71.4	97	3.819	93	3.661

1050 22.5°/ 30°/ 60°/ 67.5° SAE Flange - Code 61


Part Number	Hose I.D.		Dimension								
			Dash	Flange		Degree	Drop H		Cut-Off C		
	in	mm	size	T	mm		mm	in	mm	in	
(SFL-22.5°)	1050X12-12 22.5	¾	19	12	¾	38.1	22.5°	11	0.433	78	3.071
	1050X16-16 22.5	1	25.4	16	1	44.5		14	0.551	91	3.583
	1050X20-20 22.5	1¼	31.8	20	1¼	50.8		14	0.551	111	4.370
	1050X24-24 22.5	1½	38.1	24	1½	60.3		17	0.669	124	4.882
(SFL-30°)	1050X12-12 30	¾	19	12	¾	38.1	30°	16	0.630	77	3.031
	1050X16-16 30	1	25.4	16	1	44.5		19	0.748	89	3.504
	1050X20-20 30	1¼	31.8	20	1¼	50.8		26	1.024	109	4.291
	1050X24-24 30	1½	38.1	24	1½	60.3		23	0.906	122	4.803
(SFL-60°)	1050X12-12 60	¾	19	12	¾	38.1	60°	36	1.417	78	3.071
	1050X16-16 60	1	25.4	16	1	44.5		43	1.693	97	3.819
	1050X20-20 60	1¼	31.8	20	1¼	50.8		49	1.929	116	4.567
	1050X24-24 60	1½	38.1	24	1½	60.3		55	2.165	138	5.433
(SFL-67.5°)	1050X12-12 67.5	¾	19	12	¾	38.1	67.5°	41	1.614	74	2.913
	1050X16-16 67.5	1	25.4	16	1	44.5		48	1.890	93	3.661
	1050X20-20 67.5	1¼	31.8	20	1¼	50.8		56	2.205	110	4.331
	1050X24-24 67.5	1½	38.1	24	1½	60.3		63	2.480	131	5.157

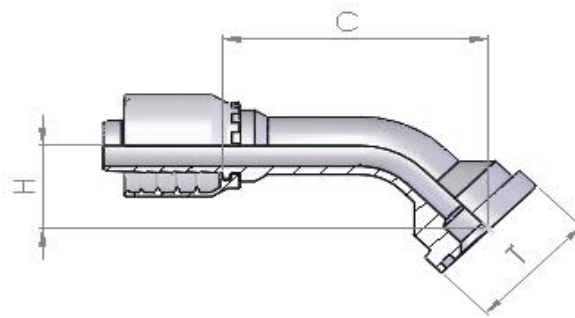
1300 Straight SAE Flange - Code 62

(SFS)



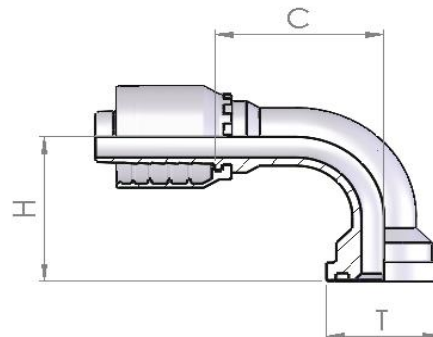
Part Number	Hose I.D.		Dimension				
			Dash size	Flange		Cut-Off C	
	in	mm			T	mm	mm
1300X12-12	¾	19	12	¾	41	55	2.165
1300X12-16	¾	19	12	1	48	61	2.402
1300X16-12	1	25.4	16	¾	41.3	57	2.244
1300X16-16	1	25.4	16	1	48	63	2.480
1300X16-20	1	25.4	16	1¼	54	70	2.765
1300X20-16	1¼	31.8	20	1	47.6	66	2.598
1300X20-20	1¼	31.8	20	1¼	54	70	2.765
1300X20-24	1¼	31.8	20	1½	63.5	76	2.992
1300X24-20	1½	38.1	24	1¼	54	80	3.149
1300X24-24	1½	38.1	24	1½	63.5	76	2.992
1300X24-32	1½	38.1	24	2	79.4	85	3.346

1200 45° SAE Flange - Code 62
(SFS 45°)



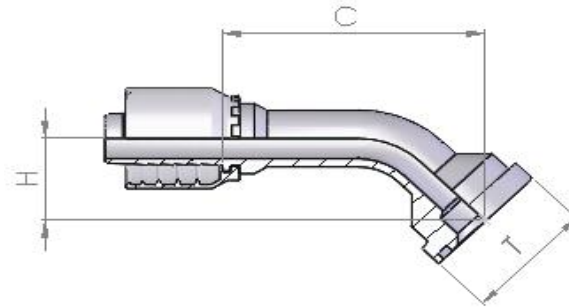
Part Number	Hose I.D.		Dimension						
			Dash size	Flange		Drop H		Cut-Off C	
	in	mm		T	mm	mm	in	mm	in
1200X12-12	¾	19	12	¾	41.3	30	1.181	87	3.425
1200X12-16	¾	19	12	1	47.6	34	1.339	94	3.701
1200X16-12	1	25.4	16	¾	41.3	35	1.377	112	4.409
1200X16-16	1	25.4	16	1	47.6	37	1.457	109	4.291
1200X16-20	1	25.4	16	1¼	54	41	1.614	115	4.528
1200X20-16	1¼	31.8	20	1	47.6	33	1.299	123	4.842
1200X20-20	1¼	31.8	20	1¼	54	43	1.693	107	4.213
1200X20-24	1¼	31.8	20	1½	63.5	48	1.890	149	5.866
1200X24-24	1½	38.1	24	1½	63.5	50	1.969	122	4.803
1200X24-32	1½	38.1	24	2	79.4	66	2.598	163	6.417

1100 90° SAE Flange - Code 62
(SFS 90°)



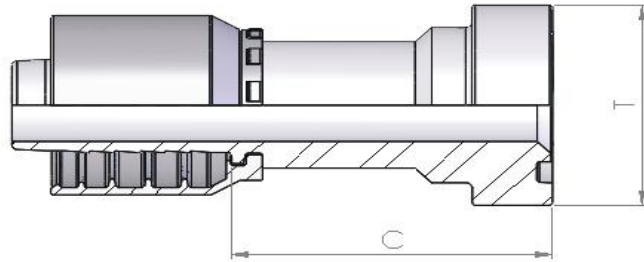
Part Number	Hose I.D.		Dimension						
			Dash size	Flange		Drop H		Cut-Off C	
	in	mm		T	mm	mm	in	mm	in
1100X12-12	¾	19	12	¾	41.3	57	2.244	58	2.283
1100X12-16	¾	19	12	1	47.6	63	2.480	56	2.205
1100X16-12	1	25.4	16	¾	41.3	66	2.598	80	3.149
1100X16-16	1	25.4	16	1	47.6	69	2.717	72	2.835
1100X16-20	1	25.4	16	1¼	54	77	3.031	72	2.835
1100X20-16	1¼	31.8	20	1	47.6	70	2.755	104	4.094
1100X20-20	1¼	31.8	20	1¼	54	83	3.268	97	3.819
1100X20-24	1¼	31.8	20	1½	63.5	90	3.543	97	3.819
1100X24-20	1½	38.1	24	1¼	54	84	3.307	110	4.330
1100X24-24	1½	38.1	24	1½	63.5	99	3.898	102	4.016
1100X24-32	1½	38.1	24	2	79.4	108	4.252	103	4.055

1100 30°/ 60° SAE Flange - Code 62



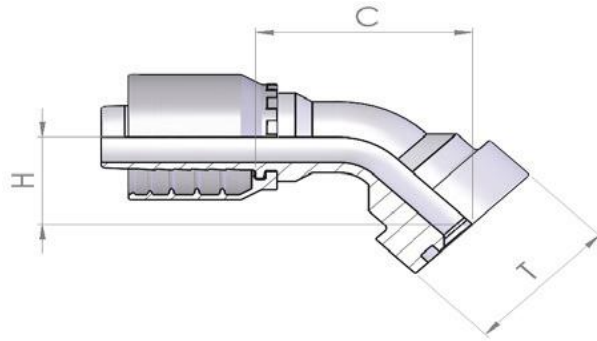
	Part Number	Hose I.D.		Dimension							
				Dash size	Flange		Degree	Drop H		Cut-Off C	
					T	mm		mm	in	mm	in
(SFL-30°)	1100X12-12 30	¾	19	12	¾	38.1	30°	16	0.630	77	3.031
	1100X16-16 30	1	25.4	16	1	44.5		19	0.748	89	3.504
	1100X20-20 30	1¼	31.8	20	1¼	50.8		26	1.024	109	4.291
	1100X24-24 30	1½	38.1	24	1½	60.3		23	0.906	122	4.803
(SFL-60°)	1100X12-12 60	¾	19	12	¾	38.1	60°	36	1.417	78	3.071
	1100X12-16 60	1	25.4	16	¾	41.3		51	2.007	81	3.188
	1100X16-16 60	1	25.4	16	1	44.5		43	1.693	97	3.819
	1100X20-20 60	1¼	31.8	20	1¼	50.8		49	1.929	116	4.567
	1100X20-24 60	1¼	31.8	20	1	47.6		73	2.874	143	5.629
	1100X24-24 60	1½	38.1	24	1½	60.3		55	2.165	138	5.433

130S Straight SuperCAT Flange (SFC)



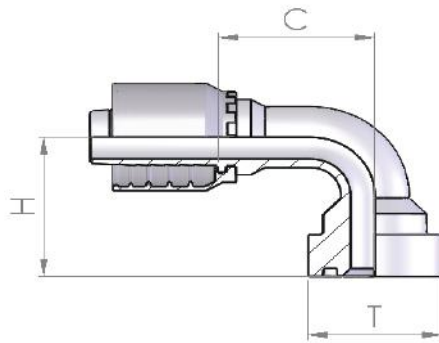
Part Number	Hose I.D.		Dimension				
			Dash size	Flange		Cut-Off C	
	in	mm			T	mm	mm
130SX12-12	¾	19	12	¾	41	59	2.323
130SX12-16	¾	19	12	1	48	66	2.598
130SX16-16	1	25.4	16	1	48	67	2.638
130SX16-20	1	25.4	16	1¼	54	75	2.953
130SX20-20	1¼	31.8	20	1¼	54	74	2.913
130SX20-24	1¼	31.8	20	1½	63.5	78	3.071
130SX24-24	1½	38.1	24	1½	63.5	80	3.150

120S 45° SuperCAT Flange (SFC-45°)



Part Number	Hose I.D.		Dimension						
			Dash size	Flange		Drop H		Cut-Off C	
	in	mm			T	mm	mm	in	mm
120SX12-12	¾	19	12	¾	41	32	1.260	90	3.543
120SX12-16	¾	19	12	1	48	33	1.299	97	3.819
120SX16-16	1	25.4	16	1	48	40	1.575	121	4.764
120SX16-20	1	25.4	16	1¼	54	44	1.732	124	4.882
120SX20-20	1¼	31.8	20	1¼	54	44	1.732	146	5.748
120SX20-24	1¼	31.8	20	1½	63.5	48	1.890	149	5.866
120SX24-24	1½	38.1	24	1½	63.5	52	2.047	172	6.772

110S 90° SuperCAT Flange (SFC-90°)



Part Number	Hose I.D.		Dimension						
			Dash size	Flange		Drop H		Cut-Off C	
	in	mm			T	mm	mm	in	mm
110SX12-12	¾	19	12	¾	41	60	2.362	58	2.283
110SX12-16	¾	19	12	1	48	67	2.638	58	2.283
110SX16-16	1	25.4	16	1	48	74	2.913	80	3.150
110SX16-20	1	25.4	16	1¼	54	80	3.150	79	3.110
110SX20-20	1¼	31.8	20	1¼	54	90	3.543	97	3.819
110SX20-24	1¼	31.8	20	1½	63.5	95	3.740	96	3.780
110SX24-24	1½	38.1	24	1½	63.5	104	4.094	115	4.528
110SX24-32	1½	38.1	24	2	79.4	119	4.685	89	3.503

FITTINGS – ONE-PIECE [SPIRAL HOSE, NO-SKIVE]